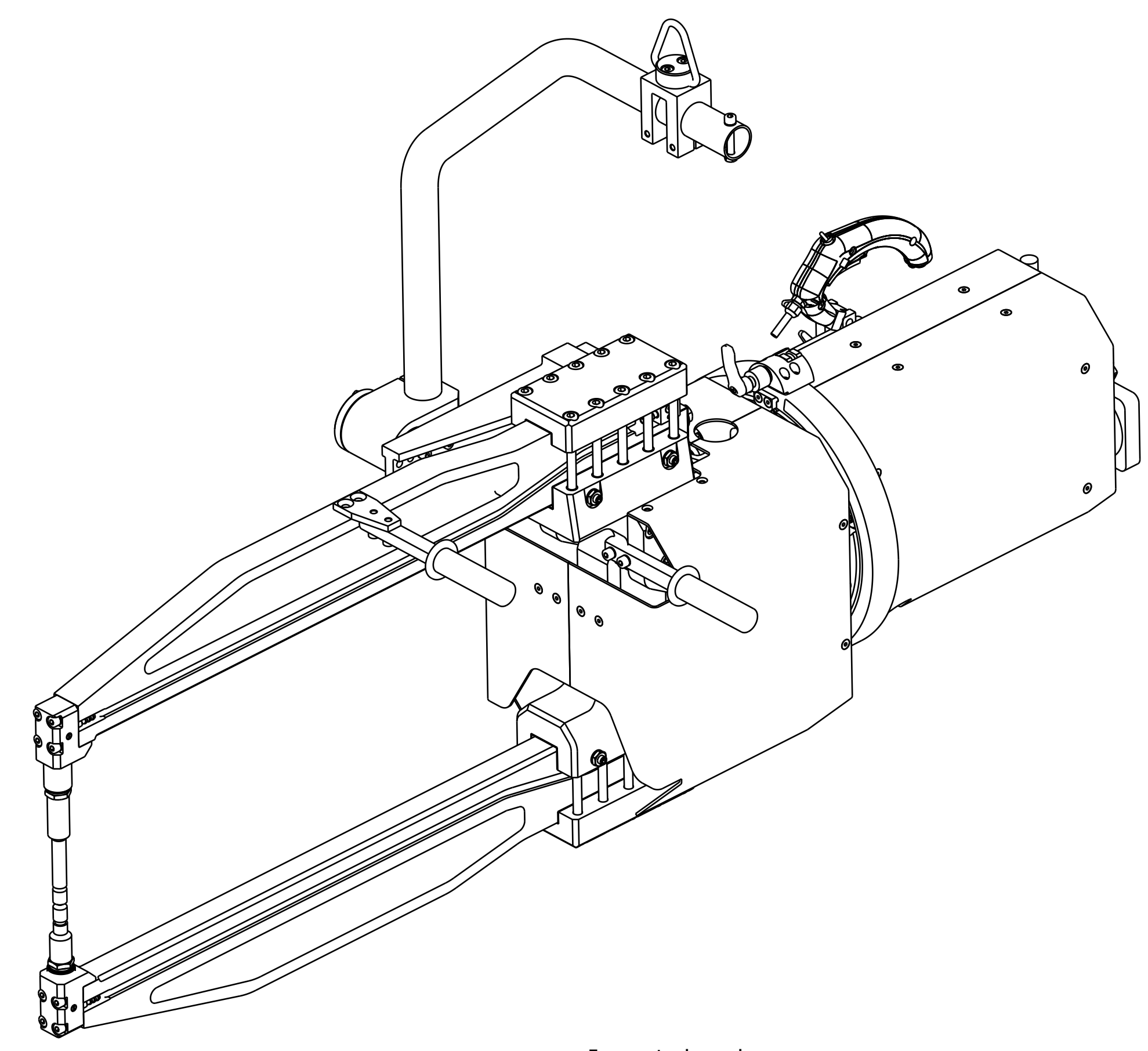
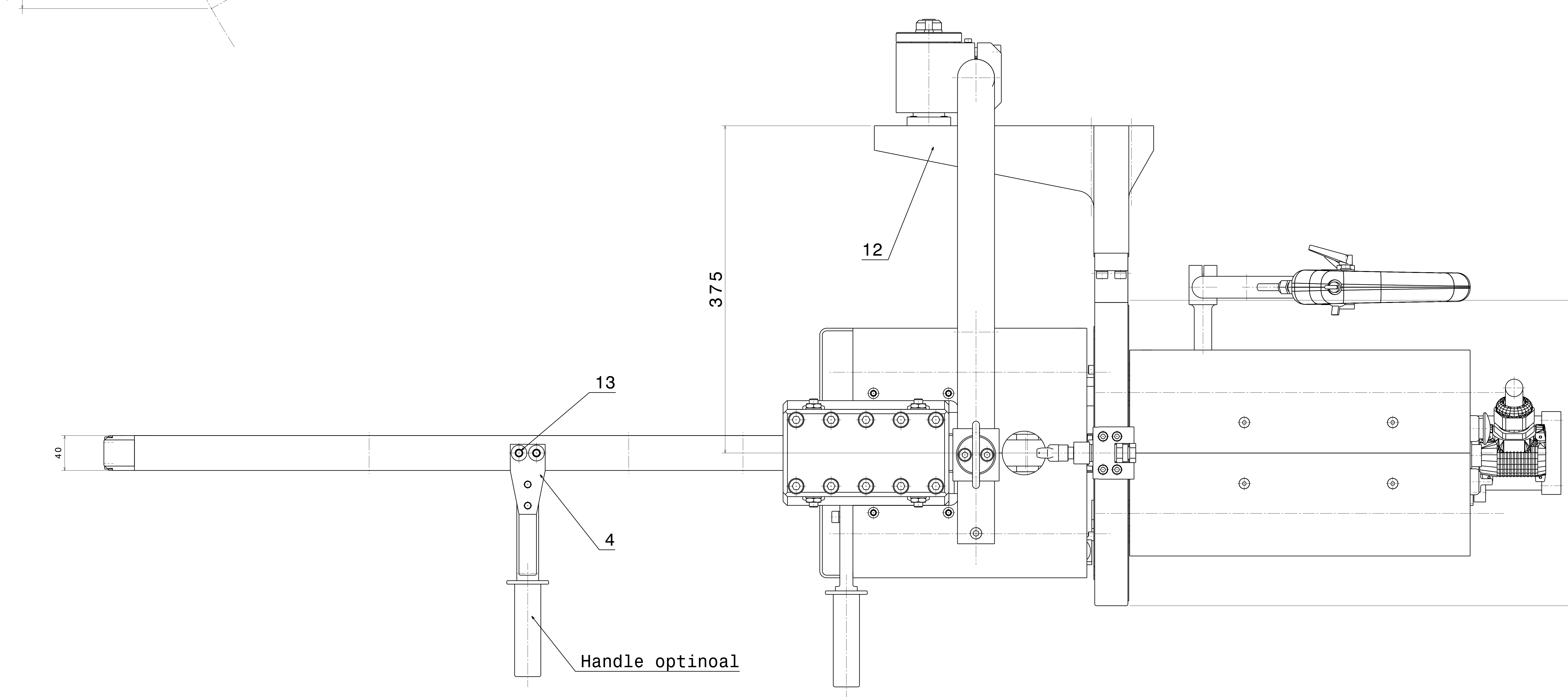
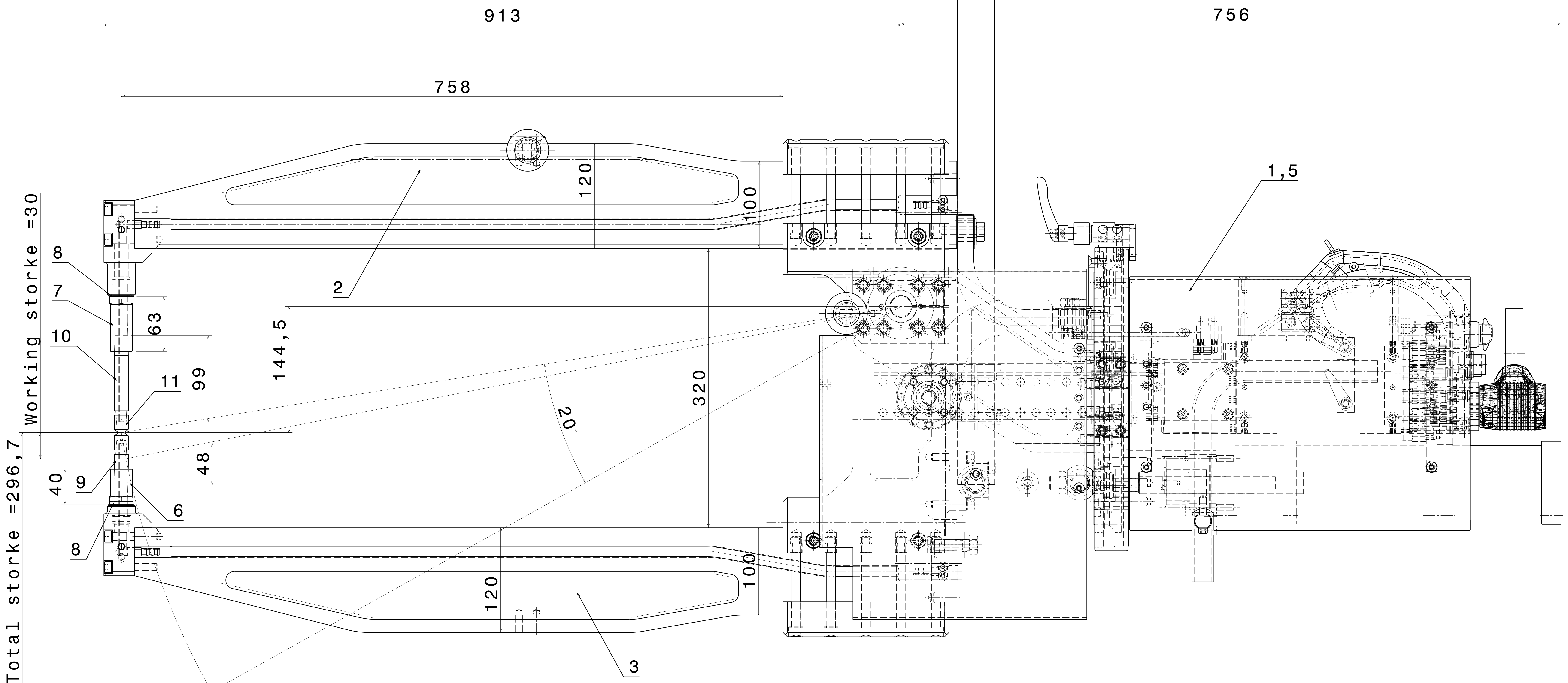


Engineering Project No.	Location	Change description	Author	Class	Document Release Status
ERN	XX	XX			



Isometric view
Scale: 1:5

Weight 92,5 kg
Transformer MF 3050
Pre-stroke 54,5 mm
Working stroke 40mm
Zylinderkraft at 6bar ca. 1700daN
Electrode force 340daN

Symbols, designations and general drawing methods STD 101-0005 and STD 5023.503
Tolerance unless otherwise stated ISO 2768-m Sharp edges broken when function allows

Drawn by	XX	Date	XX
Approved	XX	Date	XX
Production	XX	Date	XX

The copying, distribution and utilization of this document as well as the completion of its contents to drawings or other approved external documents is prohibited, otherwise it will be held liable for reasons of damages. All rights reserved in the event of the grant of a patent, utility model or ornamental design registration.

Document title: Transformer Welding X-Gun
Document type: XX
Date: XX
Document No: 3870.00504000.0
Issue: 001
Sheet No: 01

VOLVO
Volvo Truck Corporation